

ANNOTATED SHEET
(Changed indicated in Red)

100 (0)	$Y_0Cr_0Cb_0$	Y_1	$Y_2Cr_1Cb_1$	Y_3	$Y_4Cr_2Cb_2$	Y_5	\dots	$Y_{x-1}Cr_{(x-1)}/2Cb_{(x-1)}/2$	Y_x
100 (1)	$Y_0Cr_0Cb_0$	Y_1	$Y_2Cr_1Cb_1$	Y_3	$Y_4Cr_2Cb_2$	Y_5	\dots	$Y_{x-1}Cr_{(x-1)}/2Cb_{(x-1)}/2$	Y_x
100 (2)	$Y_0Cr_0Cb_0$	Y_1	$Y_2Cr_1Cb_1$	Y_3	$Y_4Cr_2Cb_2$	Y_5	\dots	$Y_{x-1}Cr_{(x-1)}/2Cb_{(x-1)}/2$	Y_x
100 (3)	$Y_0Cr_0Cb_0$	Y_1	$Y_2Cr_1Cb_1$	Y_3	$Y_4Cr_2Cb_2$	Y_5	\dots	$Y_{x-1}Cr_{(x-1)}/2Cb_{(x-1)}/2$	Y_x
100 (N)	$Y_0Cr_0Cb_0$	Y_1	$Y_2Cr_1Cb_1$	Y_3	$Y_4Cr_2Cb_2$	Y_5	\dots	$Y_{x-1}Cr_{(x-1)}/2Cb_{(x-1)}/2$	Y_x

FIGURE 2

48Y(0)	$Y_0, Y_1, Y_2, \dots, Y_{15}$
48Y(1)	$Y_{16}, Y_{17}, Y_{18}, \dots, Y_{31}$
:	
48Y(i)	$Y_{16i}, Y_{16i+1}, Y_{16i+2}, \dots, Y_{16i+15}$
:	

48Y

48C(0)	$Cr_0, Cb_0, Cr_1, Cb_1, \dots, Cr_7, Cb_7$
48C(1)	$Cr_8, Cb_8, Cr_9, Cb_9, \dots, Cr_{15}, Cb_{15}$
:	
48C(i)	$Cr_{8i}, Cb_{8i}, Cr_{8i+1}, Cb_{8i+1}, \dots, Cr_{8i+7}, Cb_{8i+7}$
:	

48C

FIGURE

3A

ANNOTATED SHEET
 (Changed indicated in Red)

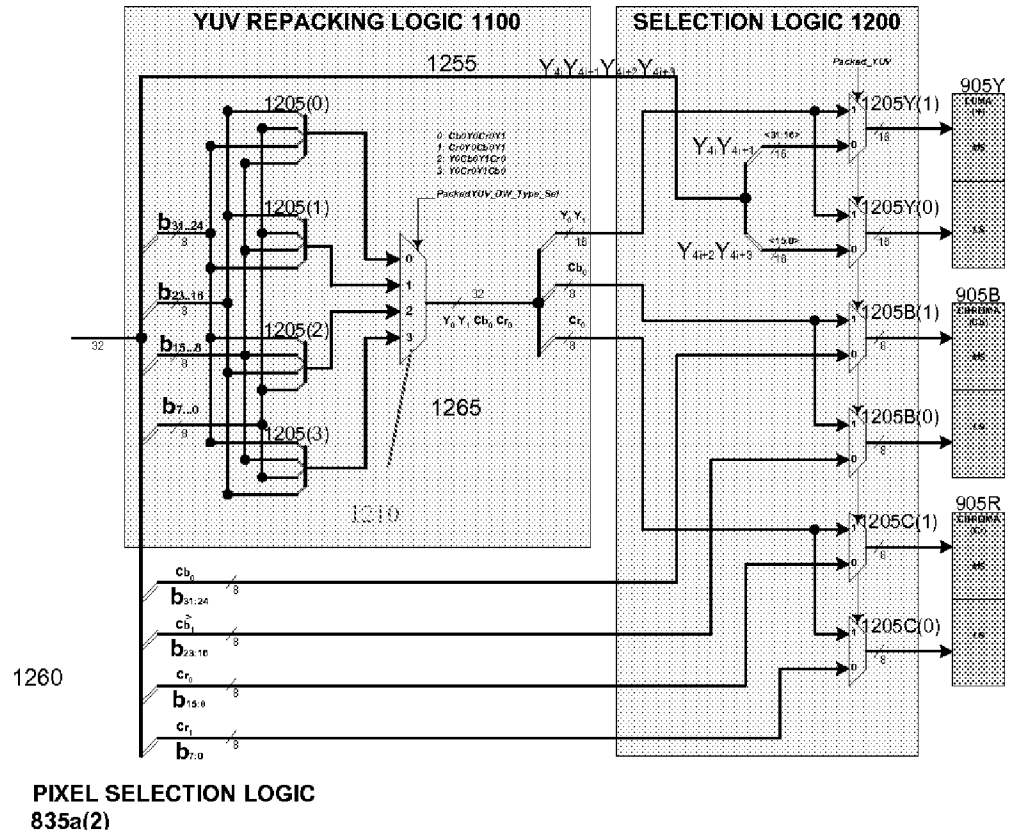


FIGURE 10